

LED CATALOG



intelliLux

The right light



**Manufacturer of quality
LED lighting lens covers
and channel bases**

40 years experience

**all products proudly
made in America**

**Call us! We can help
with your project**

**most items in stock at all
times**

call us with your project

**We will work with you
from concept to
completion**



phone
949-290-2171
fax
949-272-5145
info@intellilux.com
www.intellilux.com

**555 N EL CAMINO REAL, #A363
SAN CLEMENTE, CA 92672**

ABOUT INTELLILUX

Since 1993, Intellilux has helped design and manufacture extrusions to the Lighting Industry. Our products are tailored to meet the requirements of our customers. Our LED lenses are designed to allow the desired light transmission along with an acceptable diffusion of the diodes. Our base tracks are built to accommodate our lenses and available in aluminum and polycarbonate. If you can't find an extrusion in our line of stock products, we can help you create a product to meet your specifications. In production runs, lengths are available to best fit your applications.

OUR MISSION

Our mission is to provide our customers with the product they require, on time, to specification and at a competitive price.


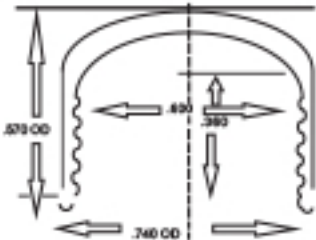

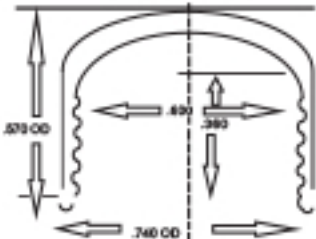

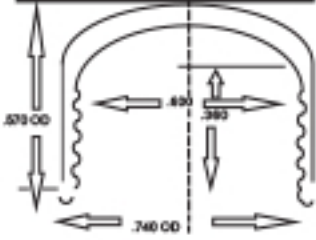
WHY CHOOSE US

We stock many products to help enable timely deliveries. All our products are proudly made in America.



Veteran Owned and operated since 1993 all products are made in the USA. We have been doing business with many major companies in America both privately owned and government owned.

STANDARD LENS COVER

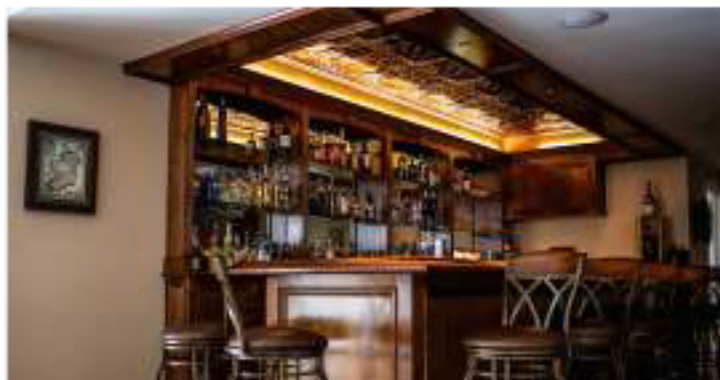
Profile	Part Number	Dimensions	Description
	370 POLYCARBONATE CLEAR 4' AND 8' LENGTHS		MATERIAL: Durable Lightweight Polycarbonate MATING BASE: 369 Channel Base
	370 POLYCARBONATE SMOOTH WHITE 4' AND 8' LENGTHS		MATERIAL: Durable LIGHTWEIGHT Polycarbonate MATING BASE: 369 Channel Base
	370 ACRYLIC FROST NATURAL OR 370 WHITE FROST MATTE FINISH 4' AND 8' LENGTHS		Material ACRYLIC - FROST - MATTE FINISH COLOR: NATURAL-WHITE MATING BASE: 369 Channel Base

555 N EL CAMINO REAL, #A363
San Clemente, CA 92672


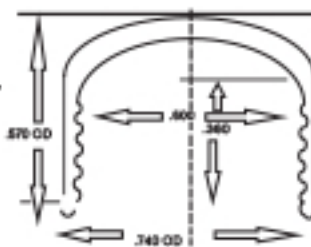

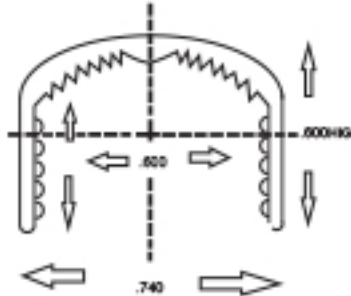

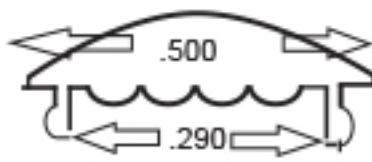
www.intellilux.com 949-290-2171

Applications:

**Display Counters/Cases • Coves & Soffits • Undercabinet & Counters • Theaters
Ambient Lighting • Bars and Pubs • Restaurants • Stair Cases • Closets • Parking Garages**



STANDARD LENS COVER

Profile	Part Number	Dimensions	Description
	370 POLYCARBONATE AMBER, GREEN, BLUE, RED, HOT PINK SMOOTH FINISH 4' AND 8' LENGTHS		MATERIAL: Durable LIGHT WEIGHT Polycarbonate MATING BASE: 369 Channel Base
	391 POLYCARBONATE CLEAR OR AMBER, GREEN, BLUE, RED, HOT PINK. 4' AND 8' LENGTHS		MATERIAL: Durable Lightweight Polycarbonate Magnifying bead and linear prisms. MATING BASE: 369 Channel Base
	361 POLYCARBONATE CLEAR 4' AND 8' LENGTHS		MATERIAL: Durable Lightweight Polycarbonate MATING BASE: 315 Channel Base

555 N EL CAMINO REAL, #A363

San Clemente, CA 92672


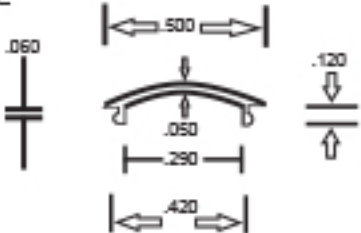

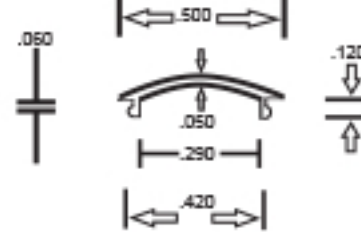

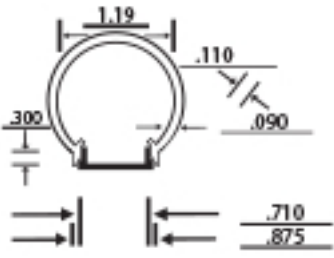
www.intellilux.com 949-290-2171

Applications:

**Display Counters/Cases • Coves & Soffits • Undercabinet & Counters • Theaters
Ambient Lighting • Bars and Pubs • Restaurants • Stair Cases • Closets • Parking Garages**



STANDARD LENS COVER


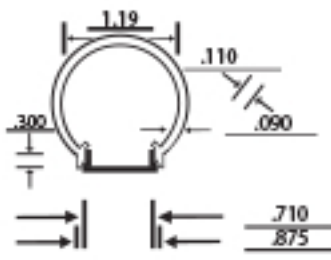

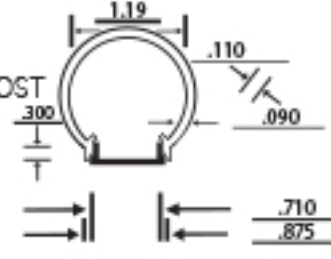

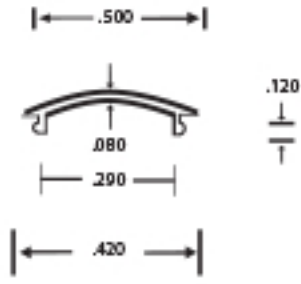
Profile	Part Number	Dimensions	Description
	426 POLYCARBONATE CLEAR 4' AND 8' LENGTHS		MATERIAL: Acrylic Polycarbonate COLOR: Clear or White MATING BASE: 315 Base
	426 FROST ACRYLIC NATURAL OR WHITE MATTE FINISH 4' AND 8' LENGTHS		MATERIAL: Polycarbonate COLOR: NATURAL-WHITE- MATTE FINISH MATING BASE: 369 Channel Base
	396 POLYCARBONATE CLEAR TUBE 4' AND 8' LENGTHS		MATERIAL: Durable Lightweight Polycarbonate MATING PART: 369 Channel Base

555 N EL CAMINO REAL, #A363
San Clemente, CA 92672
www.intellilux.com 949-290-2171

Applications:
Display Counters/Cases • Coves & Soffits • Undercabinet & Counters • Theaters
Ambient Lighting • Bars and Pubs • Restaurants • Stair Cases • Closets • Parking Garages



STANDARD LENS COVER

Profile	Part Number	Dimensions	Description
	WHITE 396 Polycarbonate WHITE SMOOTH FINISH 4' AND 8' LENGTHS		MATERIAL: Durable LIGHTWEIGHT Polycarbonate MATING BASE: 369 Channel Base
	396 ACRYLIC NATURAL OR WHITE FROST (MATTE FINISH) 4' AND 8' LENGTHS		MATERIAL: ACRYLIC- FROST MATTE FINISH COLOR: NATURAL or WHITE MATING BASE: 369 Channel Base
	432 Polycarbonate or Frost Acrylic SMOOTH WHITE OR NATURAL MATTE FINISH 4' AND 8' LENGTHS		MATERIAL: Polycarbonate or Frost Acrylic - White smooth or Natural Matte MATING PART: 315 BASE


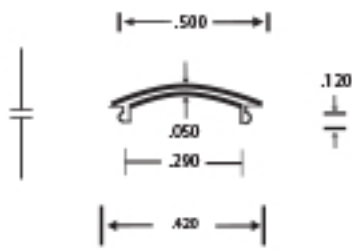

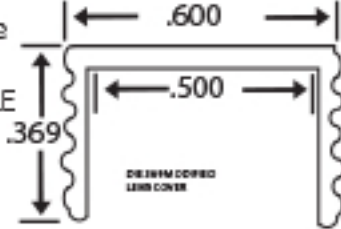

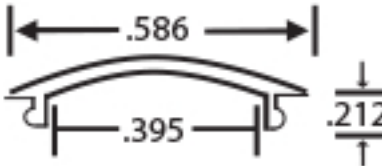
555 N EL CAMINO REAL, #A363
San Clemente, CA 92672
www.intellilux.com 949-290-2171

Applications:

**Display Counters/Cases • Coves & soffits • Undercabinet & Counters • Theaters
Ambient Lighting • Bars and Pubs • Restaurants • Stair Cases • Closets • Parking Garages**



STANDARD LENS COVER

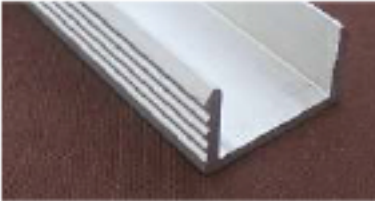
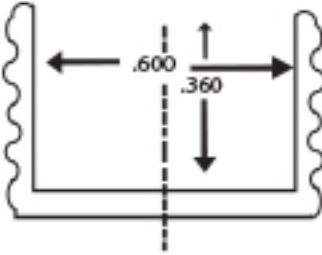

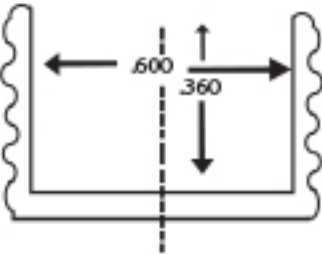

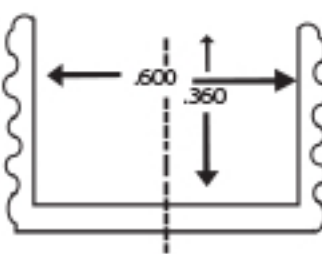
Profile	Part Number	Dimensions	Description
	426 Polycarbonate GREEN, BLUE, RED, AMBER 4' AND 8' LENGTHS		MATERIAL: Durable LIGHTWEIGHT Polycarbonate MATING PART: 315 Channel Base
	369 MODIFIED Polycarbonate CLEAR - COLORS AVAILABLE 4' AND 8' LENGTHS		MATERIAL: Durable LIGHTWEIGHT Polycarbonate MATING BASE: 369 Channel Base
	441 Frost Acrylic WHITE FROST 4' AND 8' LENGTHS		MATERIAL: ACRYLIC- FROST- MATTE FINISH COLOR: WHITE MATING BASE: 101 Channel Base

555 N EL CAMINO REAL, #A363
San Clemente, CA 92672
www.intellilux.com 949-290-2171

Applications:
Display Counters/Cases • Coves & Soffits • Undercabinet & Counters • Theaters
Ambient Lighting • Bars and Pubs • Restaurants • Stair Cases • Closets • Parking Garages



STANDARD CHANNEL BASES


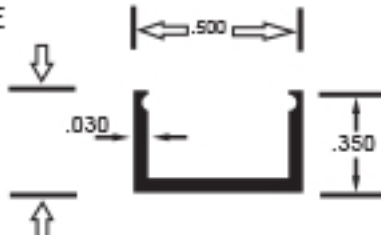

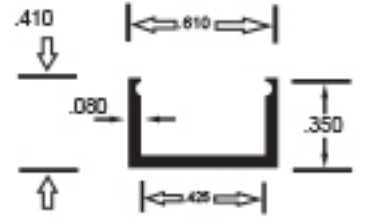
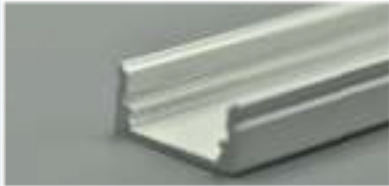
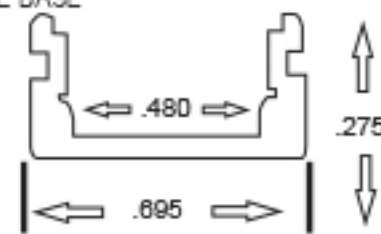
Profile	Part Number	Dimensions	Description
	369 ALUMINUM 39", 4' OR 8' LENGTHS		MATERIAL: ALUMINUM MATING TOP COVER: 370, 391, 369 Modified
	369 POLYCARBONATE CLEAR 4' AND 8' LENGTHS		MATERIAL: Durable LIGHT WEIGHT Polycarbonate MATING BASE: 370, 391, 369 Modified
	369 POLYCARBONATE WHITE, CLEAR, AMBER 4' AND 8' LENGTHS		MATERIAL: Polycarbonate COLOR: WHITE MATING TOP COVER: 370, 391, 369 Modified

555 N EL CAMINO REAL, #A363
San Clemente, CA 92672
www.intellilux.com 949-290-2171

Applications:
Display Counters/Cases • Coves & Sofitts • Undercabinet & Counters • Theaters
Ambient Lighting • Bars and Pubs • Restaurants • Stair Cases • Closets • Parking Garages



STANDARD CHANNEL BASES

Profile	Part Number	Dimensions	Description
	315 POLYCARBONATE CLEAR 4' AND 8' LENGTHS		MATERIAL: LIGHT WEIGHT POLYCARBONATE COLOR: CLEAR MATING TOP COVER: 361, 426, 432
	315 ALUMINUM 4' AND 8' LENGTHS		MATERIAL: ALUMINUM SAME AS 315 MATING BASE: 361, 426, 432
	101 ALUMINUM FLANGE BASE 4' AND 8' LENGTHS		MATERIAL: ALUMINUM MATING TOP: 441

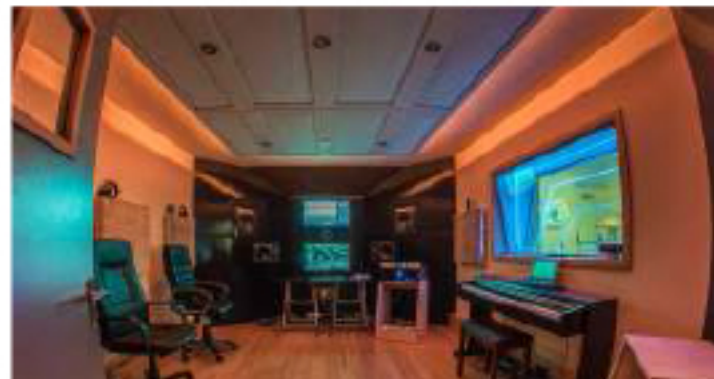
555 N EL CAMINO REAL, #A363

San Clemente, CA 92672


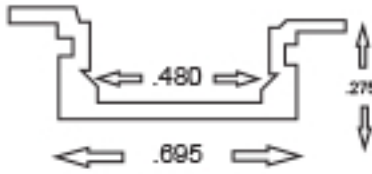

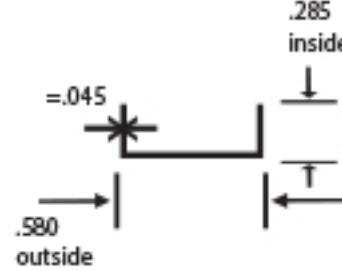

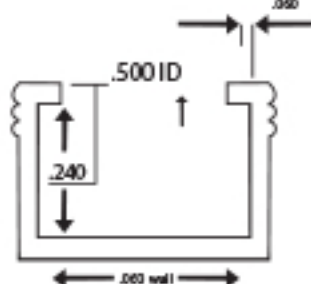
www.intellilux.com 949-290-2171

Applications:

**Display Counters/Cases • Coves & Soffits • Undercabinet & Counters • Theaters
Ambient Lighting • Bars and Pubs • Restaurants • Stair Cases • Closets • Parking Garages**



STANDARD CHANNEL BASES

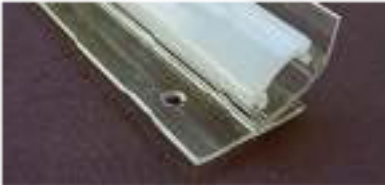
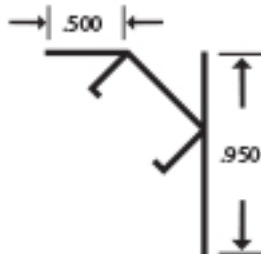

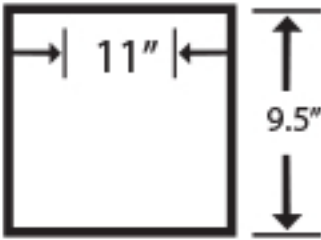

Profile	Part Number	Dimensions	Description
	102 ALUMINUM FLANGED BASE 4' AND 8' LENGTHS		MATERIAL: ALUMINUM MATING LENS: 441
	425 UV Polycarbonate CLEAR BASE 4' AND 8' LENGTHS		MATERIAL: DURABLE UV RESISTANT POLYCARBONATE GREAT FOR OUTDOOR USES STAND ALONE BASE
	421 Polycarbonate CLEAR INSIDE HOOK BASE 4' AND 8' LENGTHS		MATERIAL: Durable LIGHTWEIGHT POLYCARBONATE INSIDE HOOKS TO HOLD FLAT 120W TAPE CLEAR OR WHITE STAND ALONE BASE

555 N EL CAMINO REAL, #A363
San Clemente, CA 92672
www.intellilux.com 949-290-2171

Applications:
Display Counters/Cases • Covers & soffits • Undercabinet & Counters • Theaters
Ambient Lighting • Bars and Pubs • Restaurants • Stair Cases • Closets • Parking Garages



STANDARD CHANNEL BASES

Profile	Part Number	Dimensions	Description
	435 45° ANGLE BASE 4' AND 8' LENGTHS		MATERIAL: POLYCARBONATE COLOR: CLEAR MATING BASE: 361, 425, 432
	SAMPLE BOX		SAMPLE BOX
	END CAPS		Top line fits 101, 102 LEFT FITS # 370 AND 391 RIGHT FITS #396

555 N EL CAMINO REAL, #A363
San Clemente, CA 92672
www.intellilux.com

info@intellilux.com | 949 - 290 - 2171

Applications:

**Display Counters/Cases • Coves & Soffits • Undercabinet & Counters • Theaters
Ambient Lighting • Bars and Pubs • Restaurants • Stair Cases • Closets • Parking Garages**